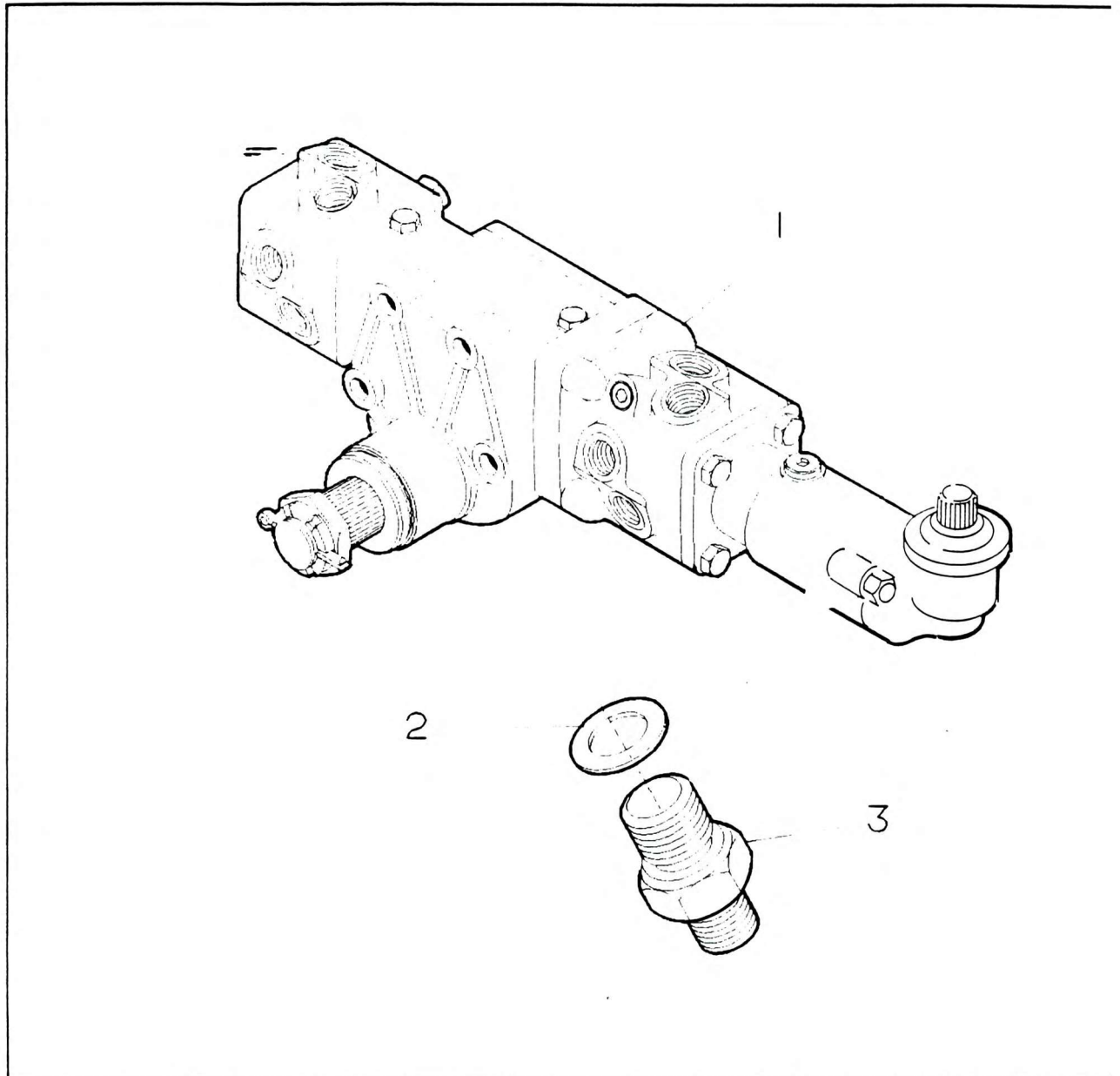


STEERING WORMBOX ASSEMBLY



| NO. | PART NO.     | QTY. | DESCRIPTION              | NO. | PART NO. | QTY. | DESCRIPTION |
|-----|--------------|------|--------------------------|-----|----------|------|-------------|
| 1 + | 7-176-000523 | 1    | Steering Gear            |     |          |      |             |
| 2   | 7-013-000507 | 8    | Male Connector           |     |          |      |             |
| 3   | 7-949-990193 | 8    | Sealing Washer<br>Copper |     |          |      |             |

+ See further breakdown in this group